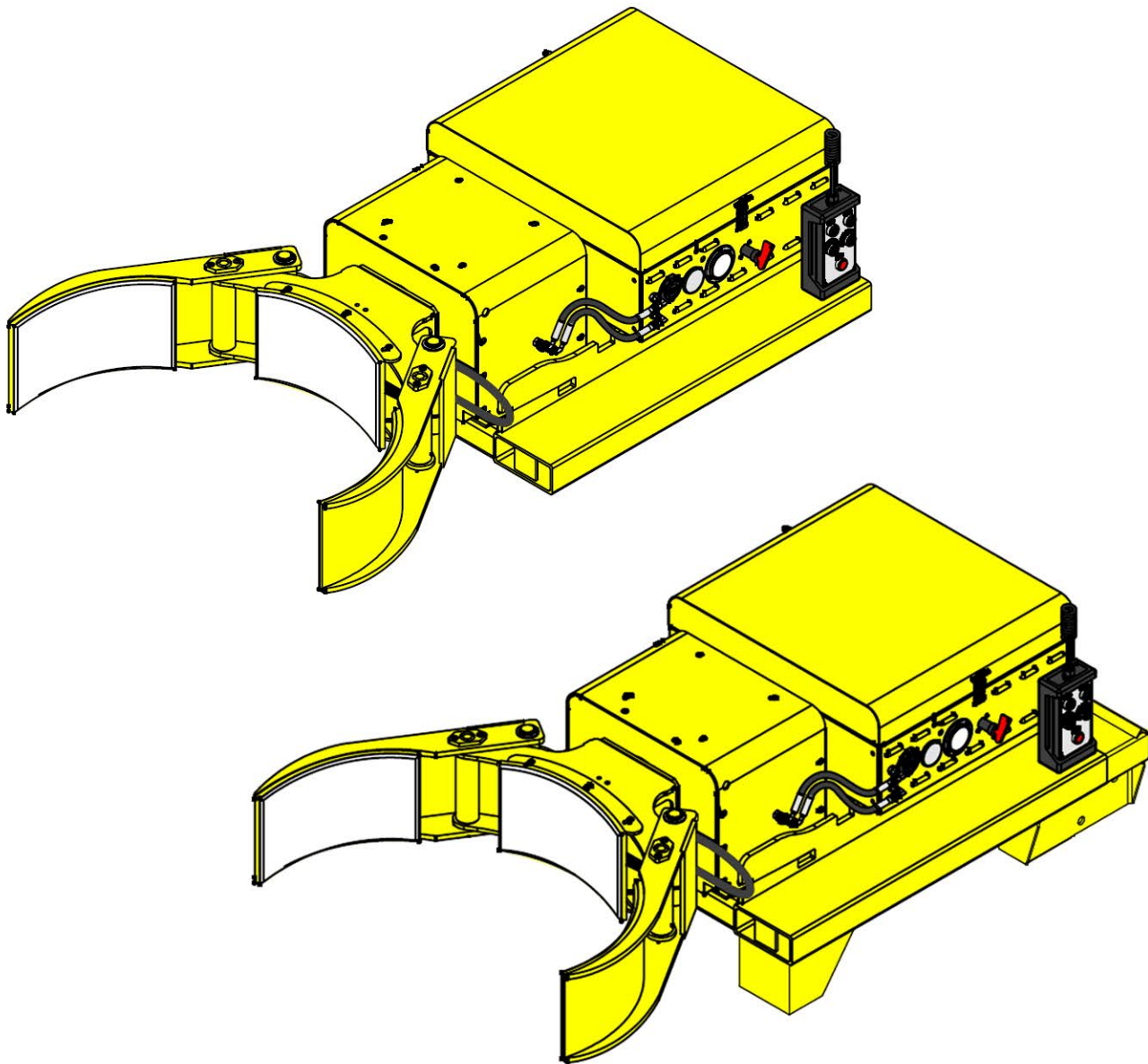


Easy Lift Equipment Co., Inc.

2 Mill Park Court, Newark, Delaware 19713 - Phone: 800-233-1800 / 302-737-7000

EAGLE-GRIP® EG2000RCR & EG2000RCR-QC ATTACHMENTS OPERATION & MAINTENANCE INSTRUCTIONS



EASY LIFT EQUIPMENT EAGLE-GRIP® EG2000RCR SERIES POWERED CLAMP & ROTATE ATTACHMENTS

NOTICE TO PURCHASER

All statements, technical information, and recommendations related to this product are based on information believed to be reliable, but the accuracy or completeness is not guaranteed. Before using this product, you must determine if it is suitable for your intended application or situation. You assume all risks and liability associated with such use or implementation.

INTRODUCTION

The Eagle-Grip® EG2000RCR is a self-powered lift truck attachment which allows the operator to remotely manipulate drums from most lift trucks without the need for additional equipment or having to dismount the lift truck while clamping, lifting and rotating a drum. It offers the ability to clamp and rotate 18 to 28 inch diameter steel, plastic or fiber drums 360° endlessly either left or right. The clamping pads are comprised of SBR rubber to provide a durable yet secure non marking surface to grip the drums. The maximum lifting capacity of the EG2000RCR is 2000 lbs. however the actual capacity and lift height may be limited by the specifications of your lift truck. Prior to using the EG2000RCR the operator should verify their lift truck capacity. Always follow the lift truck manufacturer's specifications while using the EG2000RCR. **Please verify with your local forklift dealer that your lift truck, counter-balanced walkie stacker, or walkie straddle stacker is certified and tagged properly for this attachment.**

This manual contains information to help instruct operators on the proper use and maintenance of your Eagle-Grip® EG2000RCR lift truck attachment. This manual should be made available to all operators who will use this equipment. Properly following the maintenance procedures will help ensure a safe and reliable service life. Do not operate this equipment until you have read and understand these instructions.

COMMISSIONING YOUR EAGLE-GRIP® EG2000RCR ATTACHMENT

1. Perform a visual inspection of the entire unit for damage. If damage is noted, call Easy Lift Equipment immediately and file a damage claim with the carrier within 24 hours. Do not attempt to use the equipment. Compare the contents of the shipment with the bill of lading. Report missing items to the carrier and to Easy Lift Equipment immediately.
2. Remove all packing materials, protective strapping, and wood shipping blocks. It is recommended to use protective eye gear when cutting any metal strapping. Then, using a company forklift, carefully drive the lift truck and position the forks inside the attachment fork pockets. Then lift and remove the attachment from the shipping pallet.
3. Secure the attachment to the lift truck by connecting the safety chain (unless your equipment has the Quick-Claw™ Safety Restraint System) to the forklift carriage. The end of the safety chain is equipped with a snap hook, so generally the chain is looped around the carriage and the snap hook is connected to the chain to form a loop.

DAILY SAFETY INSPECTION

Do not operate your Eagle-Grip® EG2000RCR attachment if you notice any unsafe condition(s) that may have been caused by an accident or malfunction. Immediately report this condition to your supervisor.

1. Perform a visual inspection, checking for any damage to attachment, including the DC box, fork pockets, safety chain, clamp components, including the clamping jaws.
2. Ensure that safety chain is properly attached to the lift truck carriage.
3. Ensure the operator has read the manual and is properly trained to use the attachment.
4. Observe the condition of the equipment for any other malfunction or defect.

If any of these tests are failed, tag the unit properly to keep it out of service until the problem has been resolved.

SAFETY OVERVIEW

The following general safety precautions must be observed during all phases of operation, service, and repair of this equipment. Failure to comply with these precautions or with specific safety messages elsewhere in this manual may impair the protection provided by the equipment. Such non-compliance would also violate safety standards of design, manufacture, and intended use of the instrument.

SAFETY PRACTICES

1. Observe all safety signs posted in your facility.
2. Observe warnings, cautions, handling information, storage requirements and other information on all container labels.
3. Wear safety glasses with side shields.
4. Wear the proper protective clothing, gloves, and other protective equipment before handling any chemicals.
5. Do not lift loads that exceed the rated capacity of the unit.
6. During transportation, only lift the drum(s) to the minimum height required for proper floor clearance while transporting the drum(s) to the required destination.
7. **Do not lift or suspend loads over people. Stay clear of suspended loads.**
8. Group the containers to be moved by Hazard Class. Do not move acids with toxics, or oxidizers.

SAFETY PRACTICES (CONT.)

9. Keep hands and feet clear of the clamping jaws, lifting area in front of the lift truck carriage, and the area underneath an elevated drum.
10. Be certain the clamping jaws have made a firm, secure grip on the drum before attempting to move or transport a load.
11. Use maximum care and good judgment in preventing accidents and injuries and seeking first aid.
12. Report unsafe conditions, equipment, practices, and on-job injuries.
13. Understand your supervisor's instructions. Ask questions if you do not know how to do the job safely.
14. Do not engage in tasks which you believe might be unsafe without consulting your supervisor.
15. Clean up the work area and equipment upon job completion.
16. Before you start work on any electrical system or circuit, check all power sources to ensure that the system or circuit is de-energized.
17. Know the hazardous or potentially hazardous substances you work with or are present in your work area. Review Safety Data Sheets (SDS) on these substances or contact your supervisor.

SAFETY MESSAGE CONVENTIONS

Three types of safety notices may be contained in this manual: Danger, Warning and Caution notices. These notices precede the procedural step or portion of text that presents the safety hazard.



DANGER indicates an imminently hazardous situation which, if not avoided, will result in death or serious injury. This signal word is to be limited to the most extreme situations.



WARNING indicates a potentially hazardous situation which, if not avoided, could result in death or serious injury.



CAUTION indicates a potentially hazardous situation which, if not avoided, may result in minor or moderate injury. It may also be used to alert against unsafe practices.

SAFETY

Read and understand all safety information and become familiar with all safety symbols contained in this section before moving, operating, or performing maintenance on this equipment.



WARNING

WARNING: Do not lift or suspend loads over people. Stay clear of suspended loads.

WARNING: Do not attempt to overload the attachment beyond its rated capacity, or raise the drum(s) beyond your lift truck's maximum lifting height.

WARNING: Never transport a load with the attachment at its maximum lifting height.

WARNING: Keep hands and feet away from the pinch points, such as clamp components, clamping jaws, and any rotating parts.

WARNING: Never leave the unit unattended with a suspended load.

WARNING: Do not make alterations or modifications to the unit without Easy Lift Equipment authorization.



CAUTION

CAUTION: Do not leave the attachment outside in inclement weather. Allowing the attachment to get wet may result in damage to the equipment.

CAUTION: It is recommended that all operators practice operation of the EG2000RCR and all its controls with an empty drum before using it on full drums to familiarize themselves with the machine and to develop safe working habits.

CAUTION: Too much pressure applied to the drum will cause crushing.

CAUTION: Never activate the clamping function while the forklift is in motion.

CAUTION: When dumping drums, rotate slowly, watching for drum distortion as contents are dumped. The dumping capacity is limited by the strength of the container being dumped (an open top drum must be capable of retaining its original cylindrical shape). A distorted drum may fall out of the grip.

CAUTION: Maximum lifting capacity is 2000 lbs. Actual capacity may be limited by the size of the lift truck. Always follow lift truck manufacturer's specifications.

ADDITIONAL SAFETY INFORMATION

As with any mechanical device, care must be taken during the installation, operation, and maintenance of the device in order to realize the maximum benefit from its ownership.

Note: All personnel involved in the use and maintenance of this device should be thoroughly familiar with the information contained in this manual. Furthermore, it is recommended that all personnel be given adequate instruction and a sufficient period of training in its actual use to ensure safety of personnel and proper care of the equipment. It is suggested that the units be initially operated empty until becoming familiar with operation of this unit.

SPECIFICATIONS

The EG2000RCR specifications (without Quick-Claw™) are shown in Table 1.

Table 1. Specifications

| | |
|----------------------|-----------------------|
| Dimensions | 34"Wx66"Lx19"H |
| Weight | 775 lbs |
| Load Capacity | 2000 lbs |

FEATURES

The EG2000RCR offers state-of-the-art design with many advanced features.

- 360° endless side-rotation, either left or right
- A rugged remote control box
- A key switch, which disconnects the main power
- A system pressure gauge.
- A battery discharge indicator (BDI)
- An on-board charging system
- A clamping system that is capable of clamping one steel, plastic or fiber drum at a time

EAGLE GRIP[®] EG2000RCR ATTACHMENT OPERATING INSTRUCTIONS

Only authorized personnel are permitted to use the EG2000RCR lift truck attachment. Every load and every situation is different. Every load must be evaluated and planned. Observe the following procedures when using this equipment.

All personnel should be given adequate instruction and a sufficient period of training in actual use of the attachment to ensure safety and proper care.

TO BEGIN USING:

1. Insert the forks of the lift truck into the fork pockets of the EG2000RCR attachment.
2. Attach the safety chain to the lift truck carriage (unless your equipment has the Quick-Claw™ Safety Restraint System). The end of the safety chain is equipped with a snap hook, so generally the chain is looped around the carriage and the snap hook is connected to the chain to form a loop.
3. Turn the attachment on.
4. Secure the control box near the lift truck drivers seat.

TO ENGAGE, TRANSPORT AND ROTATE A DRUM:

1. First open the clamp by simultaneously pressing and holding the red safety switch on the control box in the “ON” position while also pressing the clamp switch in the “OPEN” position. The red safety switch is a circuit interrupter provided to help prevent the accidental release of an elevated load.
2. Once the clamp is fully open, approach the drum with the lift truck. Use the lift and lower functions on the lift truck to align the EG2000RCR clamp with the vertical center of the drum, or in between the drum’s center ribs. Drive the lift truck forward, ensuring that the center point of the back pad (with the clamp fully opened) contacts the horizontal center of the operator-facing surface of the drum. Do not grip the drum by the upper or lower portion, but instead ALWAYS by the vertical center. With the clamping jaws centered evenly around the drum, begin to close the clamp by pressing and holding the “CLOSE” switch. Ensure that the center point of the open clamp is making solid contact with the drum while closing the clamping jaws to help ensure a secure grip. If the back pad is not making contact with the drum throughout this process it may be necessary to drive the lift truck forward slightly to regain that contact prior to completely closing the clamp.
3. A drum should ALWAYS be gripped at the vertical center point of the drum at all times.

CONTINUED ON NEXT PAGE

TO ENGAGE, TRANSPORT AND ROTATE A DRUM (CONT.):

4. Once the drum has been properly gripped, elevate the load by pressing the lift control of the lift truck. Only lift the load to the minimum height needed for proper floor clearance for transporting. Always look at the load for visual confirmation that it has been clamped securely before proceeding. If not, fully lower the drum then release and re-clamp properly.
5. Prior to rotating a drum, first remove the bungs or open the lid accordingly. Then ensure that the drum has been raised and situated the proper location for dumping into a tank, vat, or hopper.
6. Then depress the appropriate “LEFT” or “RIGHT” button on the remote control box so that the drum is rotated into pour position. When finished dispensing, rotate the drum back into vertical position and use the lower function of the lift truck to lower the drum. Replace the bungs or close the lid accordingly.

WHEN FINISHED USING THE EG2000RCR:

1. Remove the control box from the lift truck.
2. Remove the safety chain from the lift truck carriage (unless your equipment has the Quick-Claw™ Safety Restraint System).
3. Turn the unit off.
4. Set the unit down on the floor.
5. Using the lift truck to back out, remove the forks of the lift truck from the fork pockets of the EG2000RCR attachment.

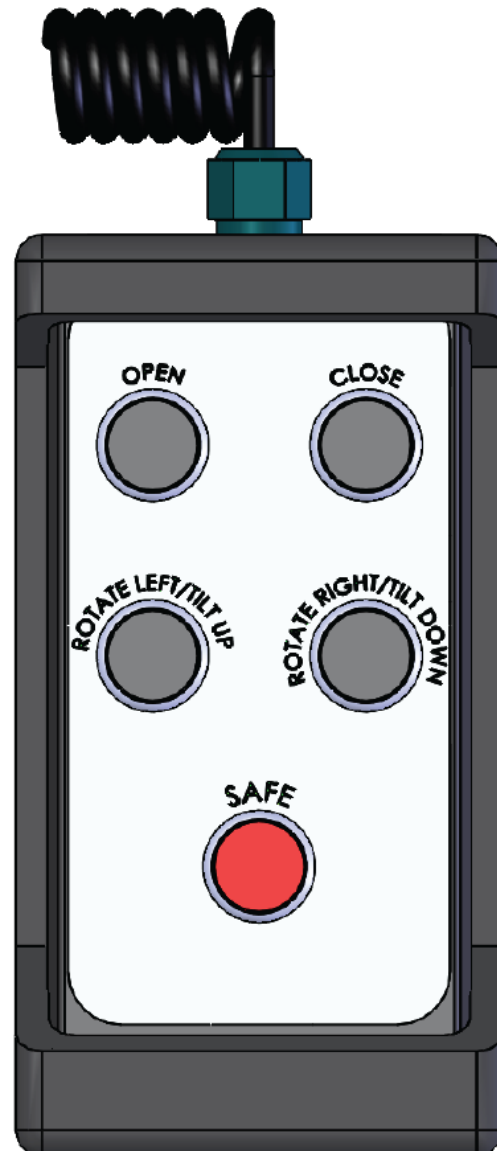
ATTACHMENTS WITH QUICK-CLAW™ SAFETY RESTRAINT SYSTEM (IN LIEU OF A SAFETY CHAIN)

The patented Quick-Claw™ cam locks secure the attachment firmly to the forks of the lift truck. This option prevents the attachment from sliding off the forks during sudden stops, even when transporting a full load. This also eliminates the need for the operator to dismount and reboard the lift truck to secure or detach a standard safety chain. Unique rotating cams bind to the heel of each fork when the attachment is lifted off the ground. When the cam locks contact the floor, they conveniently release the attachment, allowing the operator to back-out and remove the forks from the attachment. The fork pockets on EG2000RCR attachments equipped with Quick-Claw cams are 43” in length. This 43” length is designed for use on lift trucks equipped with 42” length forks. The cam locks need to be in a position where the heel of the forks is between 1.25” and 1.75” thick. The lift truck forks should be inspected prior to using the Quick-Claw attachment to verify the fork thickness. In the event the lift truck is equipped with 48” forks, 49” fork pockets will be necessary for proper operation. If the attachment is not built to accommodate 48” length forks, the cam-locks on the Quick-Claw option may not function properly.

OPERATING PROCEDURES - REMOTE CONTROL BOX

Only authorized personnel are permitted to use the EG2000RCR lift truck attachment. Every load and every situation is different. Every load must be evaluated and planned. Observe the following procedures when using this equipment. The following describes how to operate the attachment with the remote control box.

| | CLAMP BUTTON | ROTATE BUTTON | TILT/LIFT BUTTON | SAFE BUTTON |
|--------------|-----------------|------------------|---------------------|----------------|
| CLAMP OPEN | X | | | X |
| CLAMP CLOSE | X | | | |
| ROTATE RIGHT | | X | | |
| ROTATE LEFT | | X | | |



OPERATING PROCEDURES – BATTERY DISCHARGE INDICATOR

CONFIGURING YOUR GAUGE:

Access to these operations is sequential in this order. Adjustments of the following functions can be performed in the configuration mode.

1. Time-of-Day Clock



During configuration, the right button is used to adjust/increment and the left button is used to:

1. Enter a selection
2. Advance to the next configurable item

If no change is desired to a specific gauge function, continue to press the left button until the next desired function is reached. The time-of-day clock is entered by setting the ‘hours’ digits between 01 and 12, then ‘minutes’ digits between 00 and 59.

SETTING THE TIME-OF-DAY CLOCK:

The display will flash the two ‘hours’ digits. Press the right button to increment by one hour, or hold the button to increment continuously. When the desired number of hours is reached, press the left button once. The display will flash the two ‘minutes’ digits. Press the right button to increment by one minute or hold the button to increment continuously. When the desired number of minutes is reached, press the left button once.

CONFIGURATION NOTES:

The gauge remains in configuration mode for 30 seconds without input from the user. When configuring each function you must enter in all data for that function for it to be saved. If incomplete data is entered for a function and the programming mode is timed out (after 30 seconds of no input received by the gauge), the gauge will revert back to what was previously stored for that item.

EXITING CONFIGURATION MODE:

The configuration mode can be exited in three ways?

1. Press and hold the left button for three seconds.
2. Leave buttons untouched for 30 seconds.
3. Press the left button after selecting the last (right) digit of the last function available.

TOGGLING DISPLAY FUNCTIONS:

Press the left button to sequentially toggle between the three numeric gauge functions (time-of-day clock, maintenance hours, total hours).

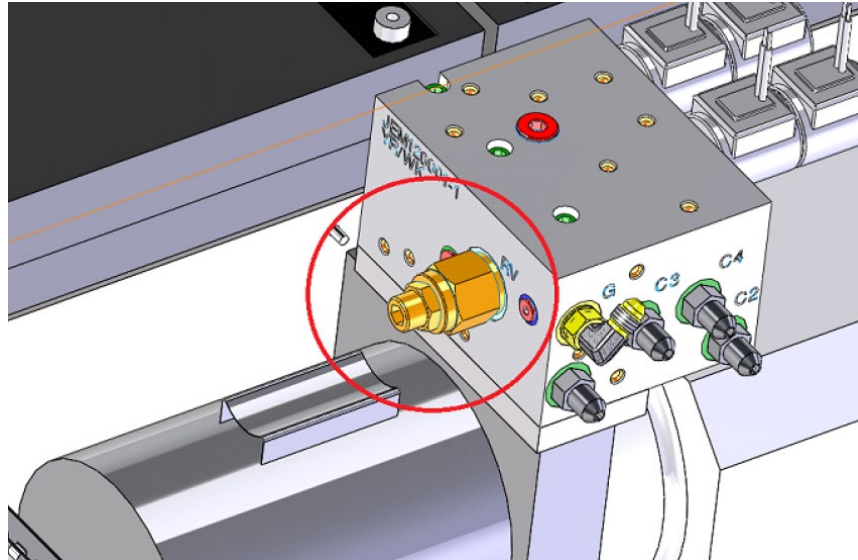
LCD ICONS:

1. Hourglass Icon - Turned on (not blinking) to indicate that an hour meter is displayed in the numeric display. Flashes to indicate hour meter accumulation.
2. Battery Icon- Turned on (not blinking) to indicate function. It flashes when a low condition is detected.
3. Colon - Flashes to indicate that the time-of-day clock is being displayed in the numeric display and that time is counting-up.
4. Decimal Point - To indicate 1/10 of a volt for the BDI profile.
5. Percent - Indicates remaining percentage of interval or level.

TROUBLESHOOTING:

| Problem | Possible Causes |
|-------------------------|---|
| No display | Terminals not connected Improper voltage |
| Stays at full | Instrument voltage does not match battery voltage V+ connected to wrong terminal |
| Will not reset | Instrument voltage does not match battery voltage Battery not fully charged Defective battery |
| Resets without charging | Not connected to battery terminal |
| Empty too soon | V+ connected to wrong terminal Instrument voltage does not match battery voltage Terminals not connected to battery |
| Cannot configure | No power to the setup enable pin |

OPERATING PROCEDURES – ADJUSTABLE CLAMPING PRESSURE



ADJUSTABLE CLAMPING PRESSURE:

Access to your adjustable clamping pressure valve is found in the main control box. Once the valve has been located adjustments can be made by loosening the jam nut. Adjusting the valve CW (clockwise) will increase the pressure, while adjusting the valve CCW (counterclockwise) will decrease the pressure.

Loads that drastically vary in the below categories may require different pressure settings:

1. Barrel Material (steel, plastic, fiber)
2. Weight of barrel
3. Rigidity of barrel (open or closed)

When handling light fiber drums or sensitive roll materials subject to impressions it *may* be necessary to lower the hydraulic pressure of the clamping mechanism. Reducing the hydraulic clamping pressure will reduce the force of the clamping mechanism against the drum or roll being gripped. Hydraulic pressure is factory preset at 1200 psi.

Extreme care must be taken when adjusting the hydraulic clamping pressure for the clamp. An inaccurate or improper clamping pressure adjustment could result in the drum slipping from the clamp and cause property damage, serious injury or even death. While raising or lowering the clamping pressure gradually, it is recommended to position the test drum on the floor until the desired clamping pressure is achieved. Once proper clamping pressure has been achieved, the drum or roll should be slightly elevated and inspected to confirm that the clamp has enough clamping pressure to securely hold the drum. Before each use, the clamping pressure setting should be checked to ensure it has not been tampered with or readjusted by other operators. Always ensure the load is securely clamped and will not slip before elevating the load.

TROUBLESHOOTING:

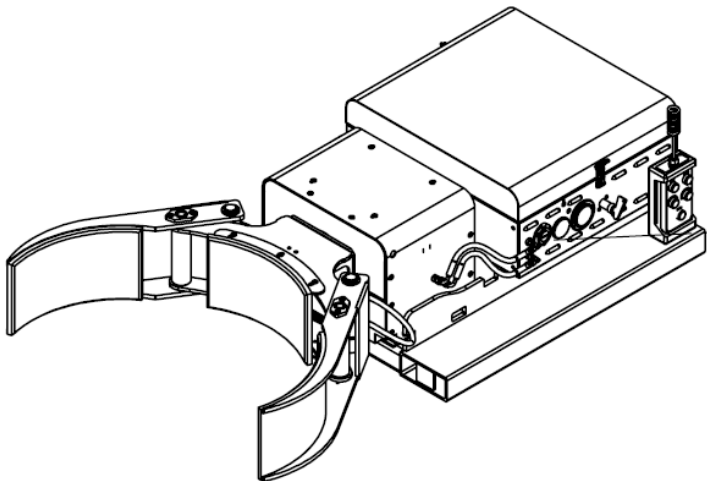
| Problem | Possible Causes |
|---------------|--|
| Drum Slipping | Pressure too low Drum not against back jaw saddle when clamping |
| Drum Crushing | Pressure too high |
| | |
| | |

OPERATING PROCEDURES – CHARGING BATTERIES

1. Always turn the key to the “off” position when unit is not in use.
2. To charge your battery, plug a grounded extension cord into the built-in receptacle in the Control Box and an outlet (see below).
3. The battery will charge automatically after the charger is plugged in and can be left unattended.
 - Batteries will generally require equal charging to work time.
4. Keep the charger plugged in to maintain a full battery level when the unit is not being used.

NOTES:

- See charger MANUAL for SAFETY PRECAUTIONS and charger TROUBLESHOOTING.
- DO NO USE BATTERIES IF THEY ARE TOTALLY DISCHARGED.
 - Doing so may damage your battery.
 - For maximum battery life, your unit is equipped with a charger that collects information from the battery and adjusts the current and voltage accordingly. If your battery voltage drops below a certain threshold the charger will not charge the battery.
- If the battery becomes discharged and won't charge by ordinary means, a suggested solution is to “trick” the charger into reading a higher voltage from the battery. To do this connect a second, well charged battery (12.4 volts or greater) in parallel with the dead battery-positive to positive, negative to negative. Then plug in your charger and charge the combination until the dead battery has enough voltage to enable being charged by itself.



OPERATING PROCEDURES – TROUBLESHOOTING

The EG2000RCR is a quality product that is designed and manufactured to provide prolonged service under normal operating conditions. If troubleshooting is required, it should be performed only by qualified personnel who are familiar with the equipment.

| Problem | Possible Cause | Solution |
|--------------------------------|-------------------------|--|
| Batteries will not charge | Faulty batteries | Load test batteries to ensure they are good. If bad replace. |
| | Faulty Charger | Verify if charger is outputting amperage. If bad replace. |
| Unit not functioning | Low/Dead batteries | Recharge batteries |
| | Improper grounding | Check motor & battery wire connections. |
| | Damaged or loose wiring | Check wiring to switches in control box. |
| Only certain functions operate | Damaged or loose wiring | Check wiring to switches in control box |
| | Bad switches | Replace |
| | Bad solenoids | Replace |
| Unit is crushing drums | Too much pressure | Grip drum just to the point that the drum starts to distort |
| Cylinder leaking | Worn/old o-rings | Replace seals in cylinder |

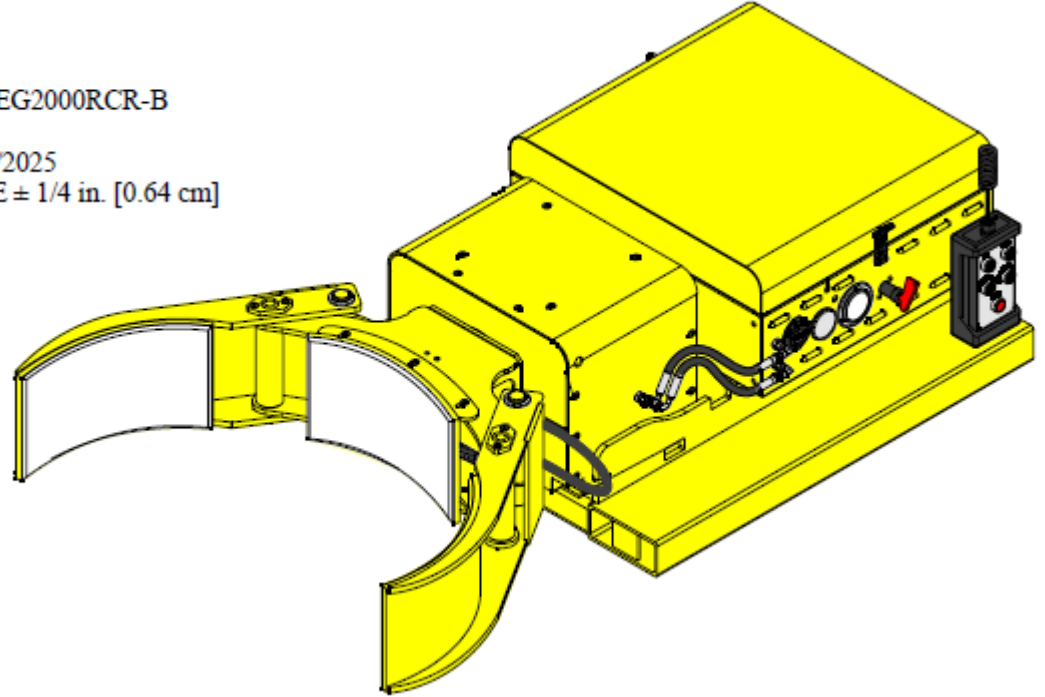
SPECIFICATIONS – EG2000RCR



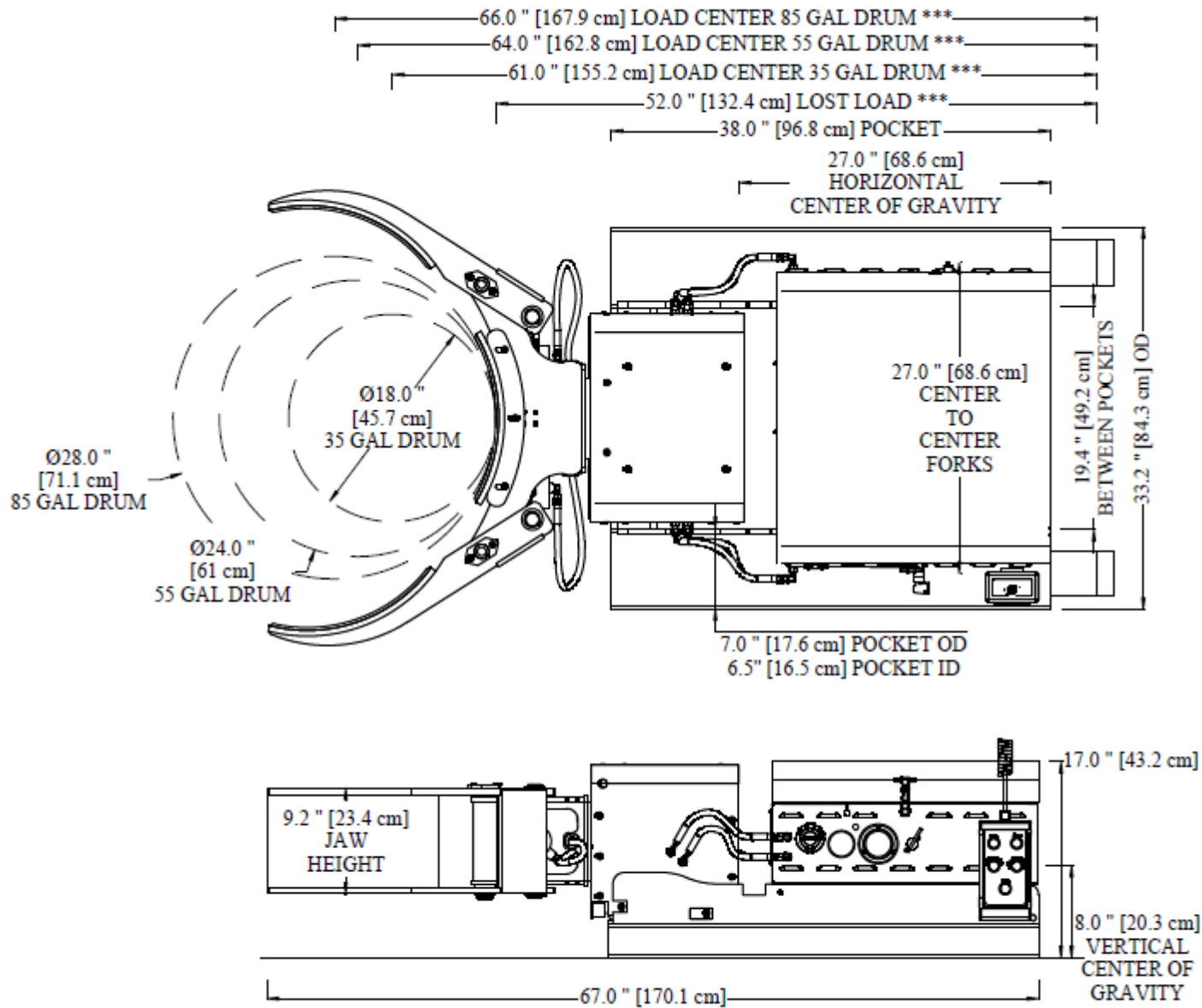
EASY LIFT EQUIPMENT CO., INC
2 MILL PARK COURT
NEWARK, DE 19713

MODEL: EG2000RCR
CAPACITY: 2000 lb. [907.2 kg]
VERTICAL LIFT: N/A

SPEC #: AD-EG2000RCR-B
DRAWN: JJ
DATE: 05/20/2025
TOLERANCE ± 1/4 in. [0.64 cm]



*** - LOAD CENTER DIMENSIONS ARE FOR 42" LONG FORKS.



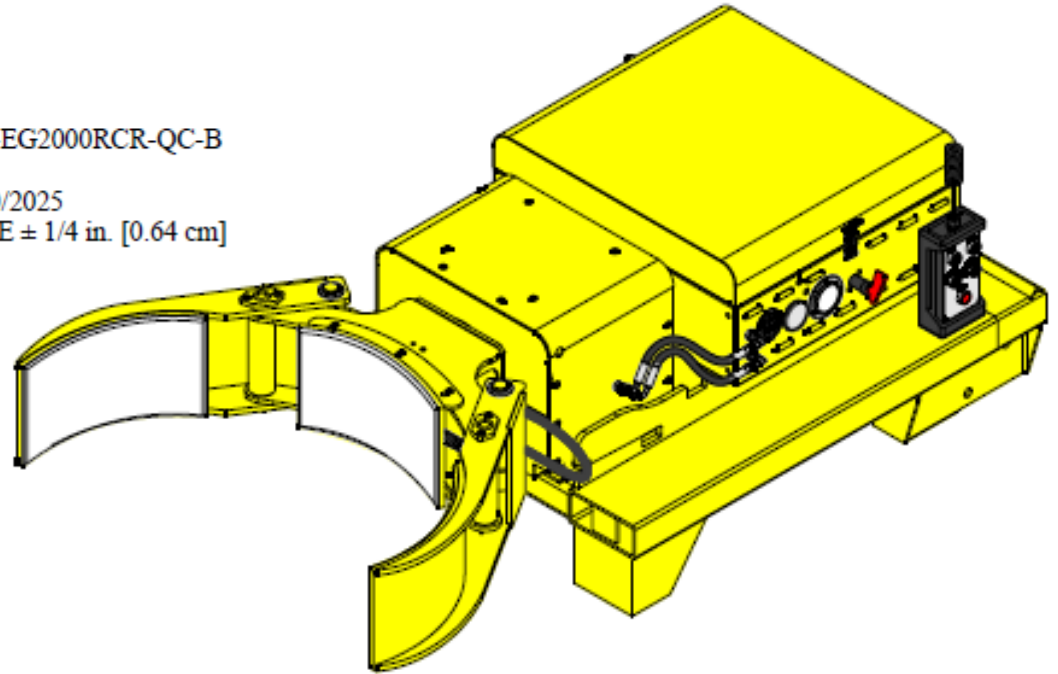
SPECIFICATIONS – EG2000RCR-QC



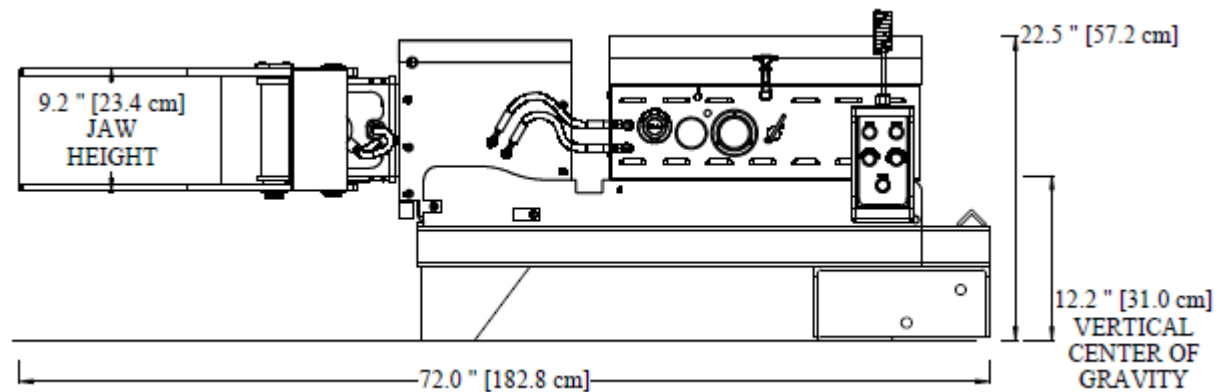
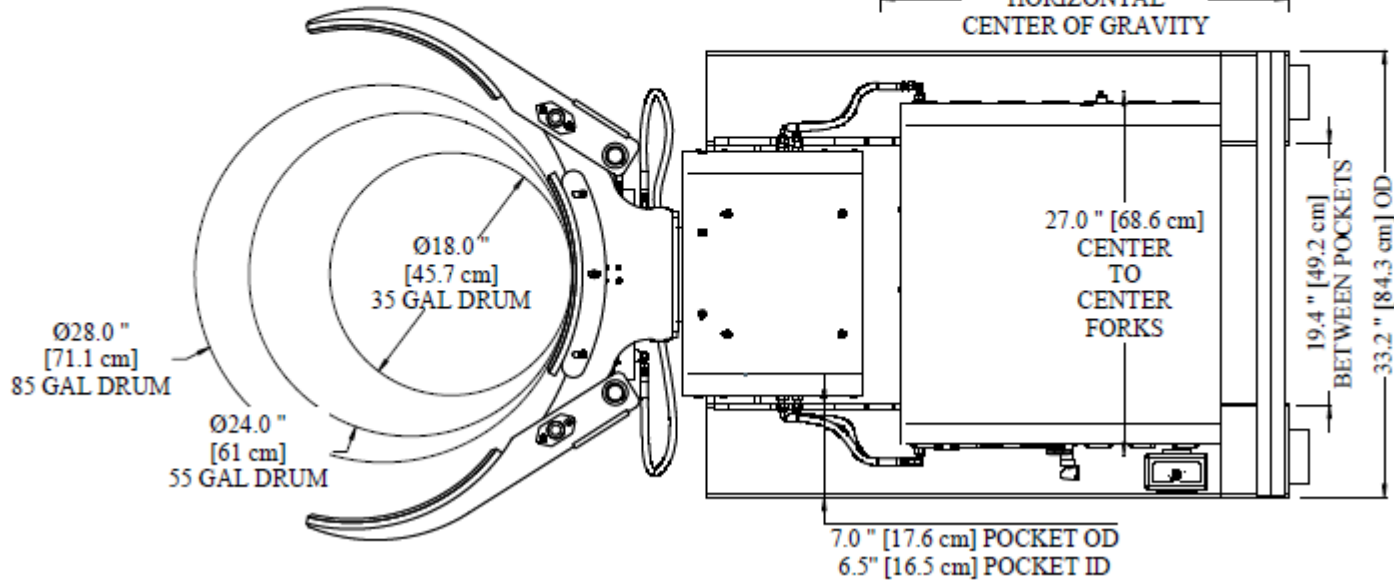
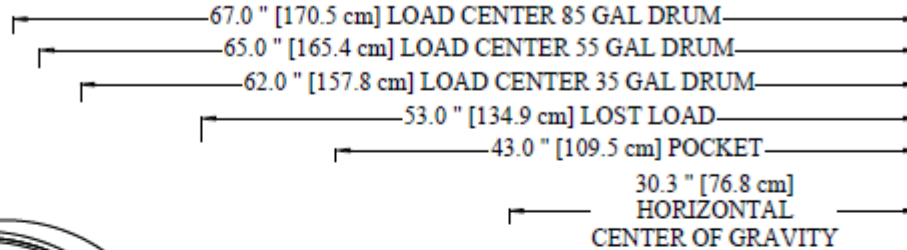
EASY LIFT EQUIPMENT CO., INC
 2 MILL PARK COURT
 NEWARK, DE 19713

MODEL: EG2000RCR-QC
 CAPACITY: 2000 lb. [907.2 kg]
 VERTICAL LIFT: N/A

SPEC #: AD-EG2000RCR-QC-B
 DRAWN: JJ
 DATE: 05/20/2025
 TOLERANCE ± 1/4 in. [0.64 cm]



*** - LOAD CENTER DIMENSIONS ARE FOR 42" LONG FORKS.



Easy Lift Equipment Co., Inc.

2 Mill Park Court, Newark, Delaware 19713 - Phone: 800-233-1800 / 302-737-7000

Operator's Daily Checklist

Eagle-Grip® Attachment with EG2000RCR Powered Clamp

Inspections Performed by: _____

Note: This inspection must be made by the equipment operator **daily** at the start of the shift. Check (✓) the appropriate "OK" or "Needs Repair" field.

This Daily Checklist is intended to help verify that the equipment is in proper working order each day.

More thorough Weekly, Monthly and Yearly Maintenance schedules should still be followed.

| VISUAL CHECK | | DATE: / / / / / / / / / / / / / / / / | | | | | | | | | | | | | |
|---------------------------------|--|---------------------------------------|--------------|----|--------------|----|--------------|----|--------------|----|--------------|----|--------------|----|--------------|
| | | OK | Needs Repair | OK | Needs Repair | OK | Needs Repair | OK | Needs Repair | OK | Needs Repair | OK | Needs Repair | OK | Needs Repair |
| VISUAL CHECK: FRAME & DC BOX | DATA PLATES & WARNING DECALS - Data Plates & Warning Decals are affixed to the unit and in good condition | | | | | | | | | | | | | | |
| | DAMAGE - Look for bent, dented or broken parts. This includes frame welds, bolted connections, belts, fork pockets or Quick-Claw (if applicable). Inspect the attachment for sharp edges or burrs | | | | | | | | | | | | | | |
| | SAFETY CHAIN OR QUICK-CLAW - Verify that all the components of the Safety Chain or Quick-Claw (if applicable) are free of damage or missing components | | | | | | | | | | | | | | |
| | DC BOX - Ensure the DC Box, Coiled Cable and all controls are free of damage | | | | | | | | | | | | | | |
| | BATTERY & FUSES - Open the DC Box and visually ensure the battery cables & connections are in good condition & secure. Ensure DC cable fuses are intact | | | | | | | | | | | | | | |
| | REMOTE CONTROL BOX - Ensure the Remote Control Box, Coiled Cable and all controls show no signs of damage | | | | | | | | | | | | | | |
| VISUAL CHECK: POWERED CLAMP | CLAMP DAMAGE - Look for bent, dented or broken clamp components. This includes the clamp weldment, clamping jaws, retaining pins, cotter pins, bolted connections, rotation chain, hydraulic fittings, lines and cables and the clamp pump and reservoir, as well as the hydraulic block and cartridge valves | | | | | | | | | | | | | | |
| | CLAMP PINS - Confirm that all jaw pins, cotter pins and set screws are accounted for and secure | | | | | | | | | | | | | | |
| | LEAKS - Inspect all hoses and check for any clamp hydraulic leaks | | | | | | | | | | | | | | |

Checklist Continued on Next Page

Easy Lift Equipment Co., Inc.

2 Mill Park Court, Newark, Delaware 19713 - Phone: 800-233-1800 / 302-737-7000

Operator's Daily Checklist (cont.)

Eagle-Grip® Attachment with EG2000RCR Powered Clamp

| DATE: | | / | | / | | / | | / | | / | | / | |
|--------------------------------------|--|----|--------------|----|--------------|----|--------------|----|--------------|----|--------------|----|--------------|
| OPERATIONAL CHECK | | OK | Needs Repair | OK | Needs Repair | OK | Needs Repair | OK | Needs Repair | OK | Needs Repair | OK | Needs Repair |
| OPERATIONAL CHECK: FRAME & DC BOX | FORK POCKETS - Verify that the forks of your lift truck fit accordingly into the fork pockets of your Eagle-Grip Attachment | | | | | | | | | | | | |
| | SAFETY CHAIN - Confirm that the Safety Chain is properly connected to the carriage of your lift truck using either the Cam Lock or Snap Hook systems | | | | | | | | | | | | |
| | QUICK-CLAW - If applicable, when raising the Attachment off the ground, ensure that the Cam Locks of the Quick-Claw Safety Restraint System properly secures to your lift truck forks | | | | | | | | | | | | |
| | POWER UP - Turn on the Master Disconnect Switch on the DC Box. Ensure Power is supplied to the unit, the Battery Discharge Indicator lights are in proper working order, and the batteries are fully charged and free from damage. | | | | | | | | | | | | |
| | CONTROLS - Verify that the clamp and rotation functions on the Remote Control Box are in proper working order. Also ensure the Red Safety Switch is working properly. The Red Safety Switch requires the operator to press two switches to open the clamp | | | | | | | | | | | | |
| POWERED CLAMP | CLAMP FUNCTION - Verify that the powered clamp properly grips and rotates the drum as intended. Only lift the "test" drum to the minimum height required while completing this test | | | | | | | | | | | | |

List the details of all required repairs in the comments section below. Then, **tag and decommission the equipment for safety.**

Comments (items needing repair or adjustment): _____

Caution – If the equipment is found to be in need of repair or in any way unsafe, or contributes to an unsafe condition, the matter shall be reported immediately to the designated supervisor, and the truck shall not be operated until it has been restored to a safe operating condition. If during operation, the truck becomes unsafe in any way, the matter shall be reported immediately to the designated supervisor, and the truck shall not be operated until it has been restored to safe operating condition. Do not make repairs or adjustments unless specifically authorized to do so.

Easy Lift Equipment Co., Inc.

2 Mill Park Court, Newark, Delaware 19713 - Phone: 800-233-1800 / 302-737-7000

EAGLE-GRIP® EG2000RCR ATTACHMENT MAINTENANCE SCHEDULES

Easy Lift Equipment recommends the following maintenance intervals.
Failure to do so could cause the equipment not to work as intended.

SIX MONTH INTERVALS

| | |
|---------------------|---|
| Grease Pivot Points | Inspect the grease pivot points. |
| Hydraulic Fluid | Confirm that the hydraulic fluid level is 1 to 2 inches from the top of the fluid fill/breather cap. Do not overfill. Use automatic transmission fluid only. |
| Rotation Chain | ◆Check rotation chain for proper lubrication and add as needed. ◆Check rotation chain tension. Correct chain tension is attained when the chain can be deflected 1/8" at midpoint between motor sprocket and rotator sprocket. |
| Wiring Harness | Inspect wiring harness for pinched wires or loose connections. |
| Fasteners | Inspect all fasteners and tighten if necessary. |
| Battery Charger | Inspect battery charger and connections. Tighten if necessary. |

Easy Lift Equipment Co., Inc.

2 Mill Park Court, Newark, Delaware 19713 - Phone: 800-233-1800 / 302-737-7000

EASY LIFT EQUIPMENT WARRANTY POLICY FOR MODELS WITH PREFIXES: ED/ER/EL/ELDR/EG & RCR

Easy Lift Equipment (“ELE”) warrants each new product to be free from factory material and workmanship defects, under normal use with proper maintenance, for a period of 12 months. Warranty coverage for this warranty period is provided by authorized dealers and includes parts. Labor is covered for the same periods of 12 months as outlined above. Please call ELE for the authorized repair dealer in your area.

ELE shall be the sole judge of the validity of any claim or defect and may elect to make any replacement or repair of any part thereof that it has agreed to be defective. Wearable Items such as: hoses, bearings, belts, brushes, seals, lift motors, clamp motors, relays, fuses, springs and wheels are wear items not covered under the warranty policy. ELE assumes no responsibility whatsoever to work done, parts replaced, or expenses incurred not specifically authorized by ELE. Normal maintenance or replacement of service items is not covered by this warranty. No warranty claims will be considered for customers with any delinquent outstanding balance. When batteries, battery chargers, scale printers or scale indicators are purchased from ELE with the equipment, the original manufacturer’s warranty applies.

WARRANTY LIMITATION/DISCLAIMERS:

Easy Lift Equipment reserves the right to void warranty coverage if the unit has been overloaded beyond rated capacity; damaged due to: abuse, misuse, neglect, accidents, freight damage, improper usage, improper repair, and/or improper storage; or any modification or repair conducted in a manner not approved by Easy Lift Equipment. Equipment used in freezers, abrasive, corrosive, and/or excessively moist conditions must be properly equipped for the environment to ensure the warranty is not voided. Warranty questions and claims should be directed to our customer service department. ELE customer service representatives will help you assess and resolve the claim or assist you in contacting the local authorized dealer or representative. The warranty described here shall constitute the sole remedy of the authorized dealer and/or the initial purchaser. ELE neither assumes nor authorizes any person to assume for it any other obligation or responsibility in connection with this product warranty. In no event shall ELE be responsible for direct, indirect, special or consequential damages or any other delay or any economic or commercial loss resulting from Easy Lift Equipment’s performance or non-performance under this warranty. This warranty is expressly in lieu of all warranties, obligations or responsibilities of ELE dealers or other authorized source, expressed, implied or statutory.

SUBMITTING CLAIMS:

To make a claim under this policy, please contact Easy Lift Equipment for assistance. We can be reached by calling 800-233-1800 ext. 4 for customer service or by writing to sales@easylifteqpt.com. Do not return defective parts unless a return authorization (RA) has been provided requesting the return. If requested, we will provide shipping information on how the part should be returned and bear the expense for the return shipping, if the part is proven to be defective. A copy of the work order made at the time of the repair and parts claimed under warranty may be requested for ELE’s inspection.

ORDERING PARTS:

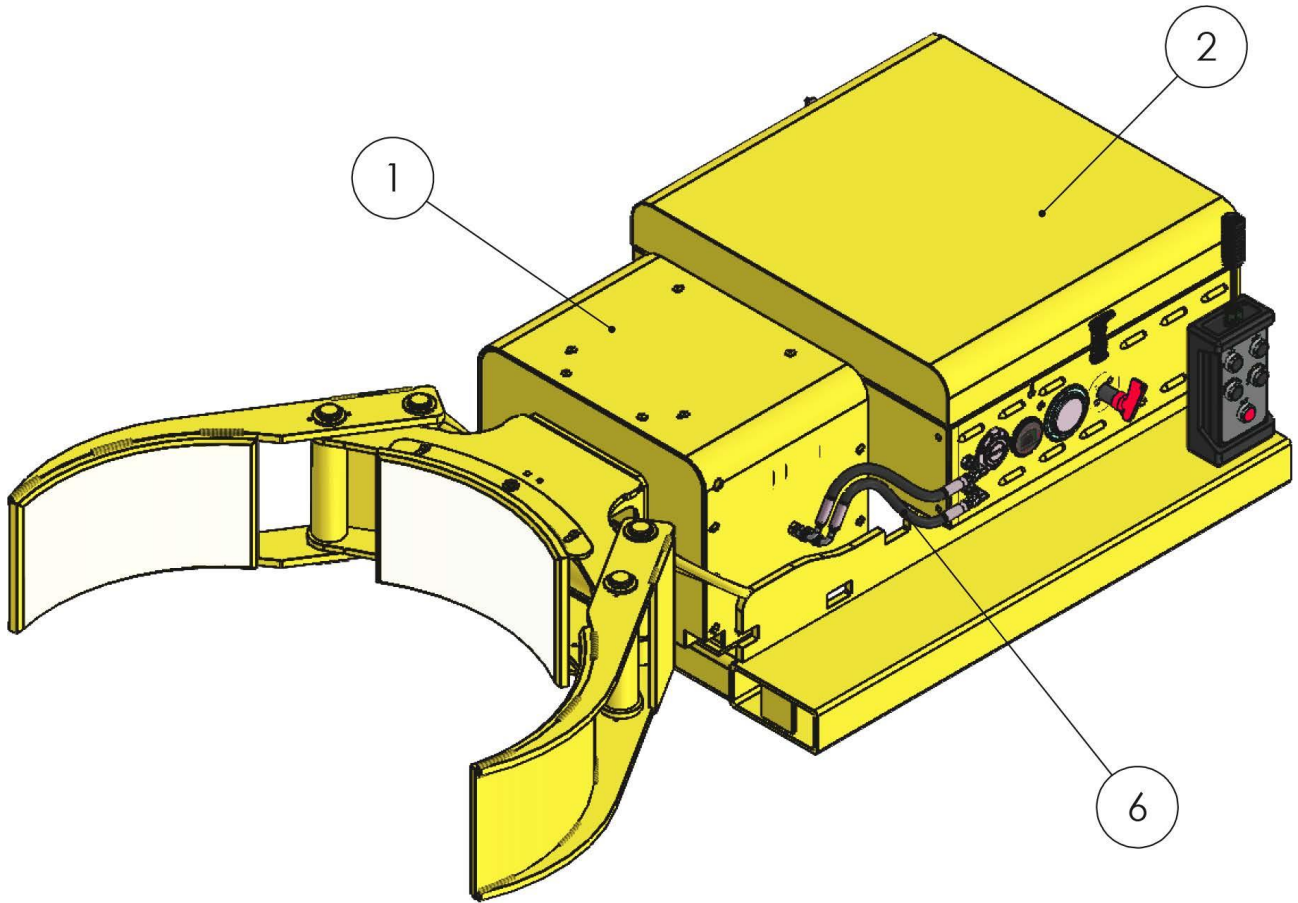
Easy Lift Equipment’s parts are distributed through our customer service department and ship the same day as ordered whenever possible. You will be well taken care of whenever parts, adjustments or repairs are needed. **When contacting ELE, please be sure to state the model and serial number for the equipment.** There is no cost for electronic copies of replacement manuals, parts lists and other general information containing part numbers and nomenclature. Most manuals contain parts pricing, but it is not guaranteed to be valid as parts pricing can change at any time without notice. Any customer service representative can provide timely parts quotations upon request. Adherence to above procedure will save time and provide prompt assistance when it counts. You are of course always welcome to bring to us any questions, comments or recommendations pertaining to your Easy Lift Equipment products.

MANUFACTURER CONTACT INFORMATION:

Easy Lift Equipment Co., Inc.
2 Mill Park Ct.
Newark, DE 19713
Email: sales@easylifteqpt.com

Phone: 800-233-1800: 302-737-7000
Fax: 302-737-7333
Website: www.easylifteqpt.com

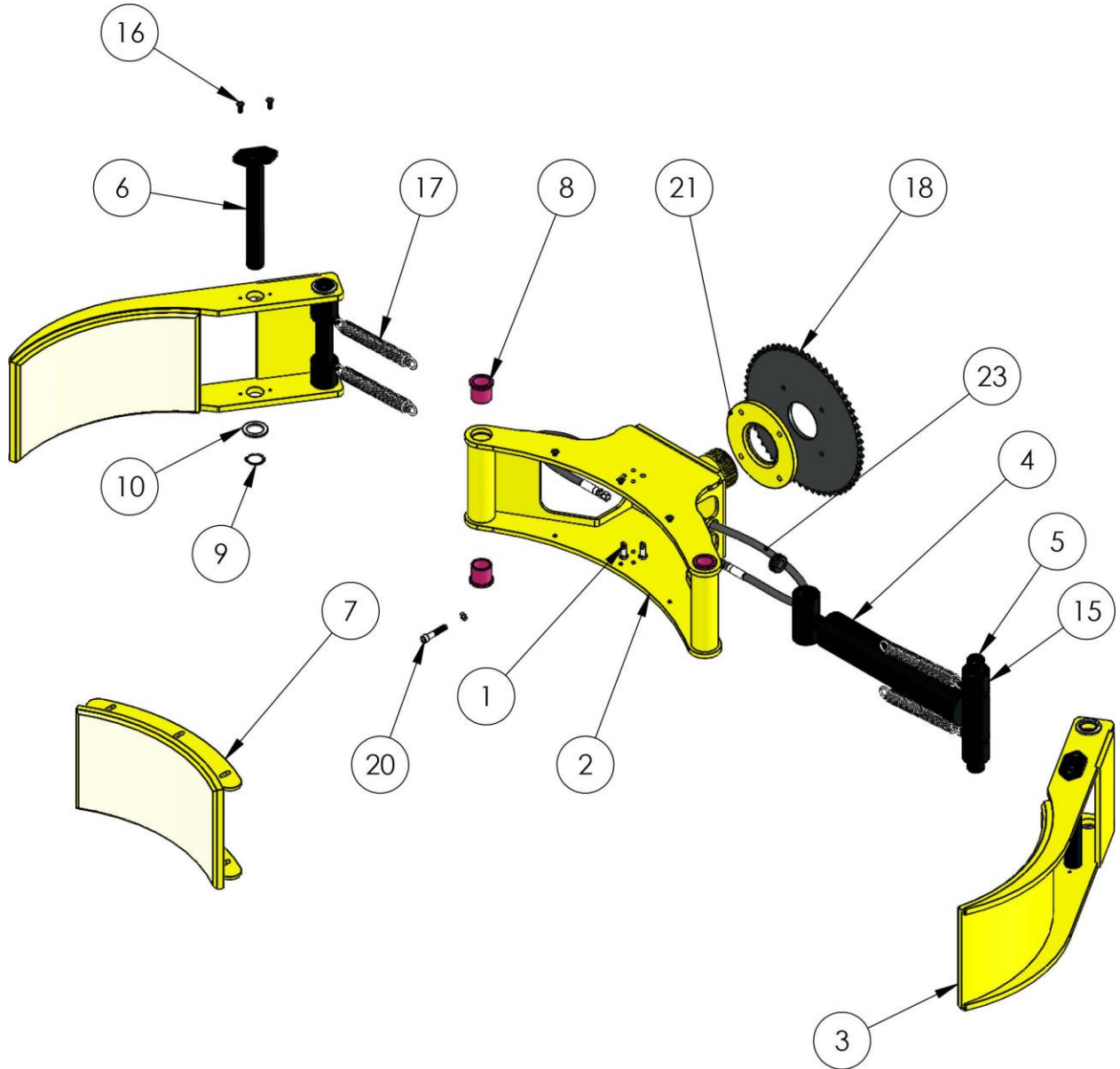
EAGLE-GRIP EG2000RCR POWERED DRUM DUMPER ATTACHMENT ASSEMBLY



**EAGLE-GRIP EG2000RCR
POWERED DRUM DUMPER ATTACHMENT
PARTS LIST**

| <u>ITEM</u> | <u>PART NO.</u> | <u>DESCRIPTION</u> | <u>QTY</u> |
|-------------|-----------------|-----------------------------|------------|
| 1 | F69012A2 | FRT SECT ASSY SAE/UG3 PL PD | 1 |
| 2 | F60574A5 | VERSA-CNRLBOX-ASSY | 1 |
| - | Z10045A5 | NUT-NYL NE 5/16-18 | 4 |
| - | Z10125A8 | S-HHC 5/16-18X1-1/2 | 4 |
| - | Z10200A6 | WASHER-1/4 FLAT USS | 8 |
| 6 | Z20854A7 | HOSE-11.00/613/648 | 4 |

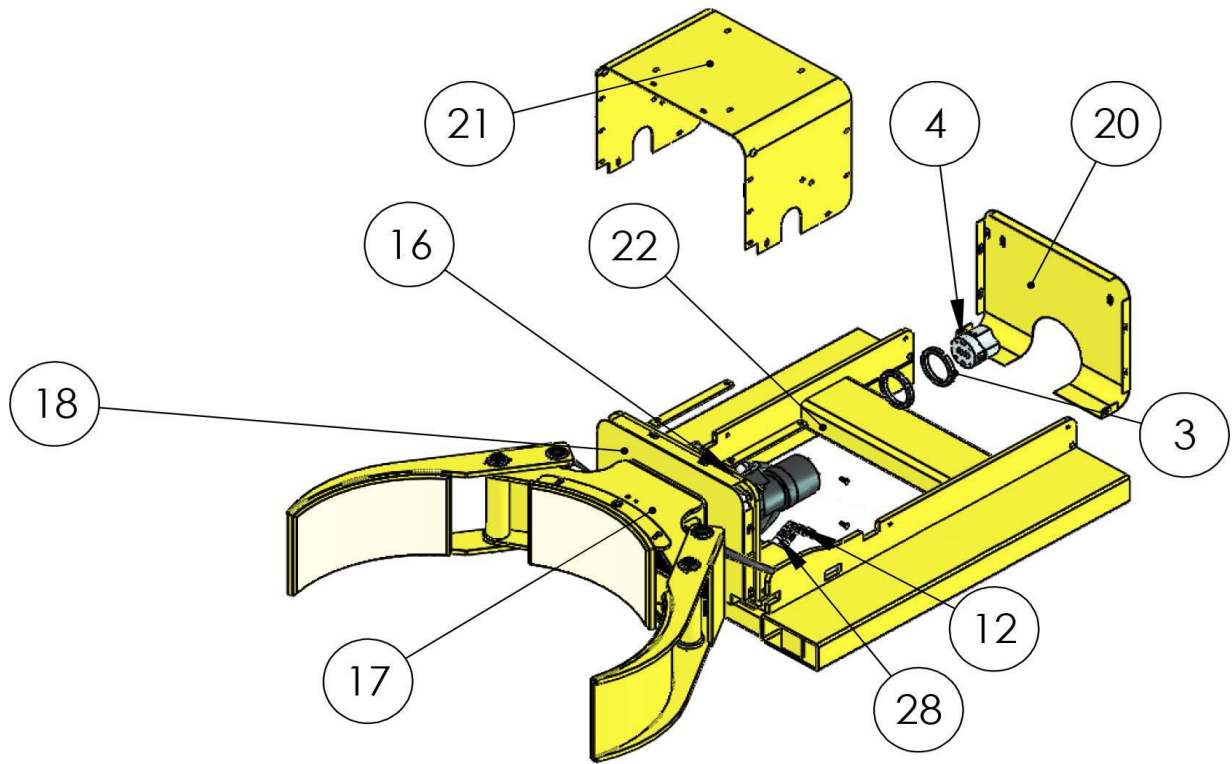
EAGLE-GRIP EG2000RCR POWERED DRUM DUMPER ATTACHMENT CLAMP ASSEMBLY



**EAGLE-GRIP EG2000RCR
POWERED DRUM DUMPER ATTACHMENT CLAMP
PARTS LIST**

| <u>ITEM</u> | <u>PART NO.</u> | <u>DESCRIPTION</u> | <u>QTY</u> |
|-------------|-----------------|--------------------------------|------------|
| 1 | Z11484A3 | CONNECTOR 3/8-16 SPRING | 4 |
| 2 | F60449A0 | ARM WLDMT UG PL PD UG3 | 1 |
| 3 | F68825A3 | UG-JAW-WLDMT-18-28 (9") | 2 |
| 4 | Z20845A8 | CYL ASSY-UG3 CLAMP 1.13ROD | 1 |
| 5 | F50401 | CYL PIN 1.25 UG3 FRT SECT | 2 |
| 6 | F68832A0 | UG-JAW-PIN WLDMT-20-35 | 2 |
| 7 | F68824A2 | UG-JAW-SADDLE WLDMT-15-30 (9") | 1 |
| 8 | Z20830A3 | BRG-BRZ-FLG 1.25X1.50X1.50 | 4 |
| 9 | Z10534A4 | RING-RTNG 1-1/4 | 6 |
| 10 | Z10592A2 | BUSH-MACH 1-1/4X10GA ZP | 6 |
| - | Z20813A0 | GROMMET-.75IDX1.06HOLEX.25TH | 2 |
| - | Z20616A6 | FTG 90 6801-4-4 NOW | 2 |
| - | Z10026A8 | NUT-HEX JAM 3/8-16ZP | 4 |
| - | F50438 | SHT-.19/UG3 JAW ASSY SPRG CLIP | 4 |
| 15 | F50435 | RD-2.00/UG3 JAW ASSY CYL SPCR | 4 |
| 16 | Z10438A0 | S-BHCS 1/4-20X3/4 BLK | 10 |
| 17 | Z11485A2 | SPRING-EXTENSION 1.00X.14X8.00 | 4 |
| 18 | F51281 | SPROCKET-LRG BORE UG3 PL PD | 1 |
| - | Z10214A0 | WASHER-3/8 LOCK MD | 4 |
| 20 | Z11562A7 | S-SHC 3/8-16X2 ZP | 4 |
| 21 | F51279 | SPCR PLATE RD UG3 PL PD | 1 |
| - | Z10201A5 | WASHER-5/16 FLAT USS | 4 |
| 23 | F61313A6 | HOSE-24.00/613 | 2 |

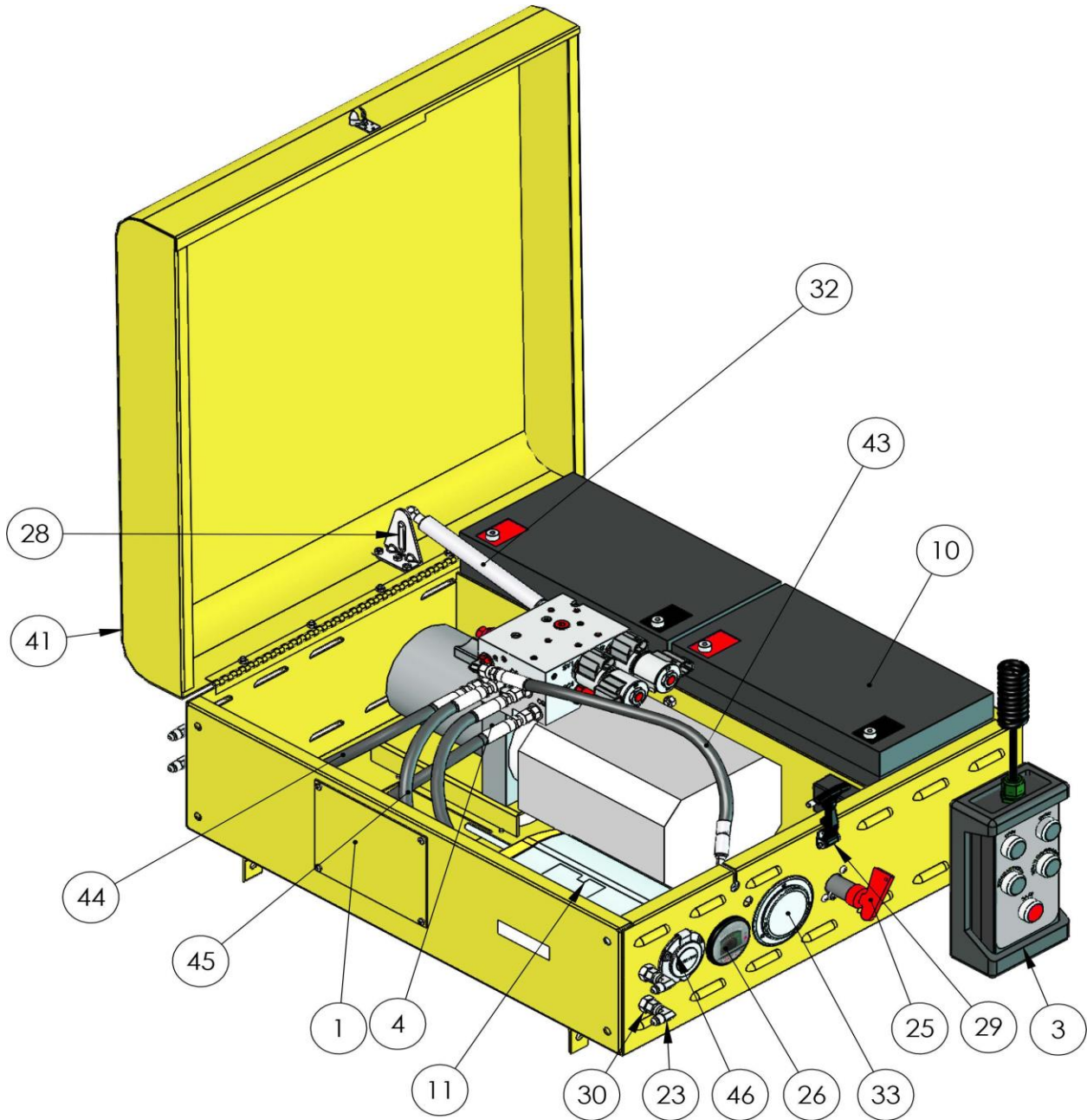
EAGLE-GRIP EG2000RCR POWERED DRUM DUMPER ATTACHMENT FRAME ASSEMBLY



**EAGLE-GRIP EG2000RCR
POWERED DRUM DUMPER ATTACHMENT FRAME
PARTS LIST**

| <u>ITEM</u> | <u>PART NO.</u> | <u>DESCRIPTION</u> | <u>QTY</u> |
|-------------|-----------------|--------------------------------|------------|
| - | F51291 | NYLON SPACER 3IDX4.5ODX.125 | 2 |
| - | F51484 | WASHER-4-1/2ODX3IDX3/16 (STK) | 1 |
| 3 | F51292 | ROTATE JAM NUT (KAN BAN) | 2 |
| 4 | Z20869A2 | VEKTEK ROTATOR 32-2242-03 | 1 |
| - | Z11690A5 | S-SHC 1/4-20X1-1/2 ASTM A574 | 2 |
| - | Z20615A7 | FTG STR 6400-4-4-O | 4 |
| - | Z20656A6 | MOTOR-HYD/SAE | 1 |
| - | Z30400A2 | SPROCKET-SM W/SHS | 1 |
| - | Z11550A9 | S-BHCS 1/4-20X1-1/4 ZINC | 2 |
| - | Z11572A7 | S-BHCS 1/4-20X3/4 ZINC | 18 |
| - | Z20704A0 | FTG 90 6500-4-4 SWL | 2 |
| 12 | Z84897A3 | FTG STR 2700-4-4-LN | 4 |
| - | Z10048A2 | NUT-NYL NE 1/2-13 | 2 |
| - | Z10331A8 | WASHER-1/2 FLAT SAE | 2 |
| - | Z10620A4 | S-HHC 1/2-13X2 GR 5 | 2 |
| 16 | Z20701A3 | FTG 90 6801-6-10 NOW | 2 |
| 17 | F60550A1 | UG-JAW ASSY 15-30 PL PD | 1 |
| 18 | F69011A1 | SPROCKET TOP COVER WLDMT | 1 |
| - | F69010A0 | SPROCKET BOTTOM COVER WLDMT | 1 |
| 20 | F69003A3 | VERSA BACK COVER WLDMT | 1 |
| 21 | F51725 | UGIII COVER (KAN BAN) | 1 |
| 22 | F69009A9 | HYDRA-RTB-WELDMENT SP | 1 |
| - | Z10036A6 | NUT-HEX KEPS 5/16-18 | 1 |
| - | Z19998A9 | S-HHC 5/16-18X2-1/2 Z5 FULL TH | 1 |
| - | Z10026A8 | NUT-HEX JAM 3/8-16ZP | 4 |
| - | Z10602A2 | WASHER-1/4 FLAT SAE | 20 |
| - | F61318A1 | HOSE-11.00/613 | 2 |
| 28 | F65143A6 | HOSE-16.00/613/682 | 2 |

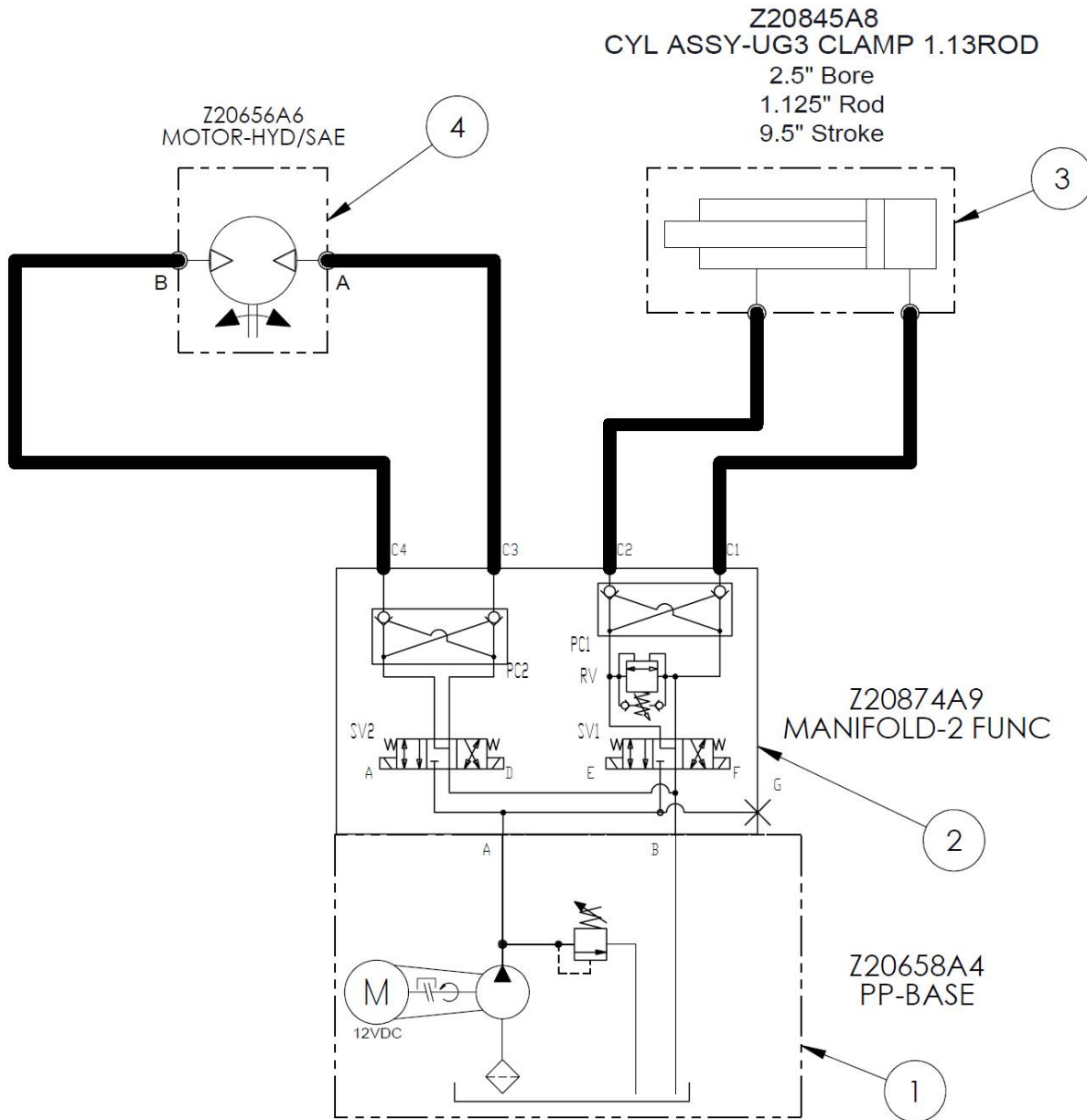
EAGLE-GRIP EG2000RCR POWERED DRUM DUMPER ATTACHMENT DC BOX ASSEMBLY



**EAGLE-GRIP EG2000RCR
POWERED DRUM DUMPER ATTACHMENT DC BOX
PARTS LIST**

| <u>ITEM</u> | <u>PART NO.</u> | <u>DESCRIPTION</u> | <u>QTY</u> |
|--------------------------|-----------------|---|------------|
| 1 | F50432 | UG-CNRLBOX-ACCESS PANEL (KAN BAN) | 2 |
| - | F50804 | FELT PAD UG3 BTTM BAT 2.50X50" | 1 |
| 3 | F60473A1 | PENDANT ASSY/FORK ATTACH (KAN BAN) | 1 |
| 4 | F60575A6 | PP-2FUNC 12V | 1 |
| - | F68840A8 | UG-CNRLBOX- BASE WLDMT | 1 |
| - | Z00008A1 | CIRCUIT BRKR SLA-150 | 1 |
| - | Z00111A5 | CABLE-BAT BLK 6LG | 1 |
| - | Z00113A3 | CABLE-BAT RED 15.5LG | 1 |
| - | Z00114A2 | CABLE-BAT BLK 15.5LG | 3 |
| 10 | Z00171A6 | BATTERY-12V 100AH SEALED LEAD | 2 |
| 11 | Z20362A2 | CHRGR-BATTERY 12/24 120VAC | 1 |
| - | Z00547A3 | CABLE-BAT 12V-27" RED 7/16X1/4 | 1 |
| - | Z00548A2 | CABLE-BAT 12V-6" RED 7/16X1/4 | 1 |
| - | Z10003A5 | NUT-HEX KEPS #4-40 | 3 |
| - | Z10035A7 | NUT-HEX KEPS 1/4-20 | 3 |
| - | Z10176A6 | S-RHM #10-24X1/2 | 6 |
| - | Z10335A4 | S-CRG 1/4-20x3/4 ZP | 2 |
| - | Z10382A6 | NUT-HEX KEPS #8-32 ZP | 11 |
| - | Z10391A5 | NUT-HEX KEPS #10-24 | 6 |
| - | Z10463A8 | S-PTHM #8-32x3/8 | 11 |
| - | Z10595A9 | RIVET-POP 1/8x1/8 ST | 3 |
| - | Z11548A1 | S-FHM #4-40X3/8 ZP | 3 |
| 23 | Z20704A0 | FTG 90 6500-4-4 SWL | 4 |
| - | Z20814A9 | GROMMET-.75IDX1.13HOLEX.09TH | 2 |
| 25 | Z20818A5 | Switch-Battery Disconnect & Key | 1 |
| - | Z11756A2 | Replacement Red Battery Disconnect Key | 1 |
| - | 30345T527 | 6" 18-8 SS 3/64" Wire Rope Lanyard, Straight, Loop/Eye | 1 |
| 26 | Z20836A7 | GAUGE-BATTERY DISCHARGE | 1 |
| - | Z20849A3 | FTG 90 2502-4-4 | 1 |
| 28 | Z84866A4 | BALL-10MM - MOUNT PLATE TALL | 1 |
| 29 | Z84869A1 | LATCH-DRAW RUBBER | 1 |
| 30 | Z84897A3 | FTG STR 2700-4-4-LN | 4 |
| - | Z84905A5 | GAS SPRING MOUNT STR | 1 |
| 32 | Z84906A4 | GAS SPRING 60 LB 4" STROKE | 1 |
| 33 | Z84909A1 | GAUGE-PRESSURE 0-3K PSIG CF1P-210E**3000PSI 2.5 GLY FLG/PNL MNT | 1 |
| - | Default | S-CRG 1/4-20x1/2 | 1 |
| - | Z10122A1 | S-HHC 5/16-18X3/4 | 1 |
| - | Z10213A1 | WASHER-5/16 LOCK MD | 1 |
| - | Z10602A2 | WASHER-1/4 FLAT SAE | 3 |
| - | Z10500A7 | NUT-HEX KEPS 3/8-16 | 2 |
| - | Z10337A2 | S-PTHM #8x1/4 PL | 8 |
| - | Z40473A3 | TAG/SERIAL NUMBER/PRINT 2 COLORS | 1 |
| 41 | F61932A0 | UG-CTL-LID WLDMT | 1 |
| - | Z20364A4 | BATTERY TERMINAL COVER - RED (LARGE) | 2 |
| 43 | F61016A7 | HOSE-17.50/613/648 | 1 |
| 44 | F61297A2 | HOSE-16.50/613 | 2 |
| 45 | Z20736A8 | HOSE-20.00/613 | 2 |
| 46 | Z00614A0 | PLUG HOLDER 120V | 1 |
| <u>DECALS</u> | | | |
| | ADART002 | Attention Read Operations Manual Decal | 1 |
| | ADART015 | ELE Address Decal (Horizontal) | 1 |

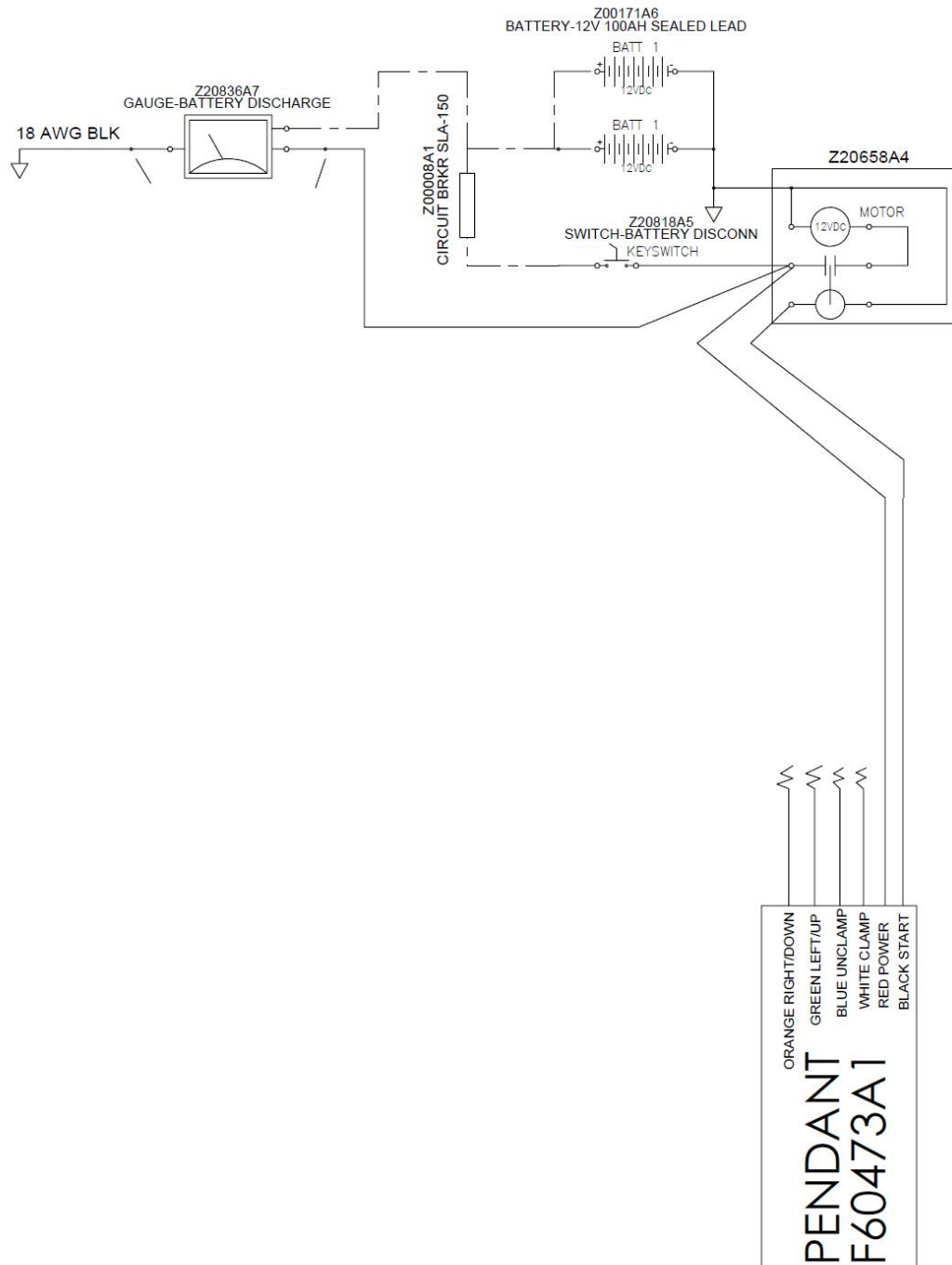
EAGLE-GRIP EG2000RCR POWERED DRUM DUMPER ATTACHMENT HYDRAULICS ASSEMBLY



**EAGLE-GRIP EG2000RCR
POWERED DRUM DUMPER ATTACHMENT HYDRAULICS
PARTS LIST**

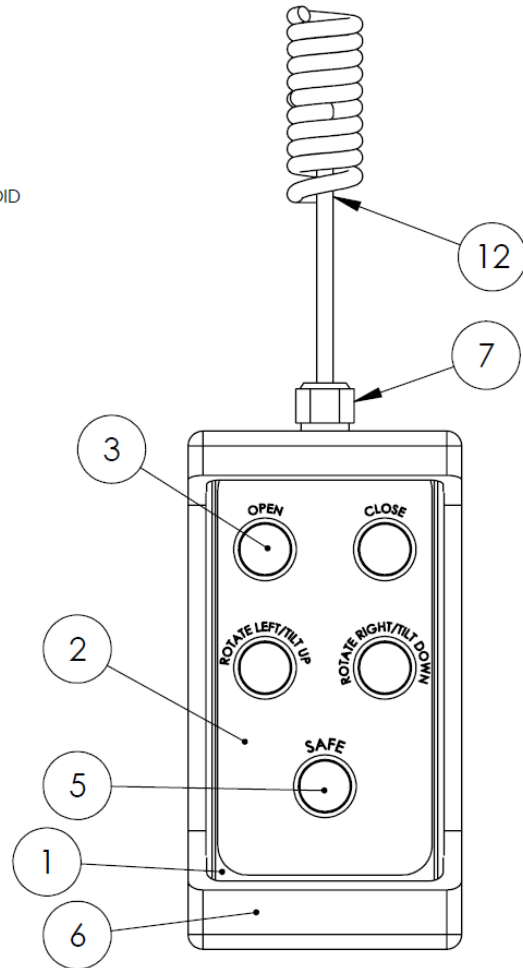
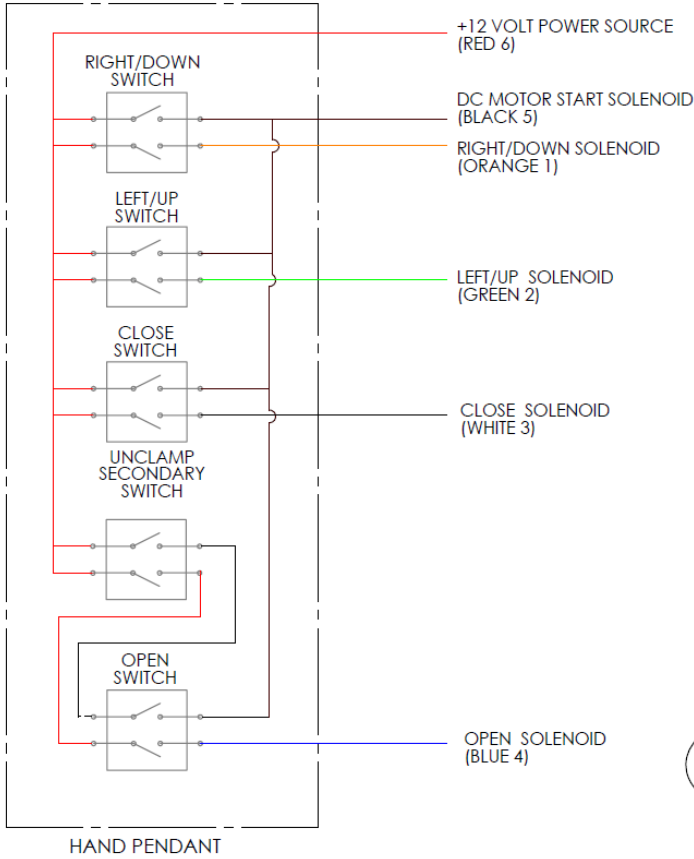
| <u>ITEM</u> | <u>PART NO.</u> | <u>DESCRIPTION</u> | <u>QTY</u> |
|-------------|-----------------|----------------------------|------------|
| 1 | Z20658A4 | PP-BASE | 1 |
| 2 | Z20874A9 | MANIFOLD-2 FUNC PRES REL | 1 |
| 3 | Z20845A8 | CYL ASSY-UG3 CLAMP 1.13ROD | 1 |
| - | R20845A01 | KIT-SEAL 2.5" CLAMP | 1 |
| 4 | Z20656A6 | MOTOR-HYD/SAE | 1 |

EAGLE-GRIP EG2000RCR POWERED DRUM DUMPER ATTACHMENT WIRING ASSEMBLY



THIS PAGE INTENTIONALLY LEFT BLANK

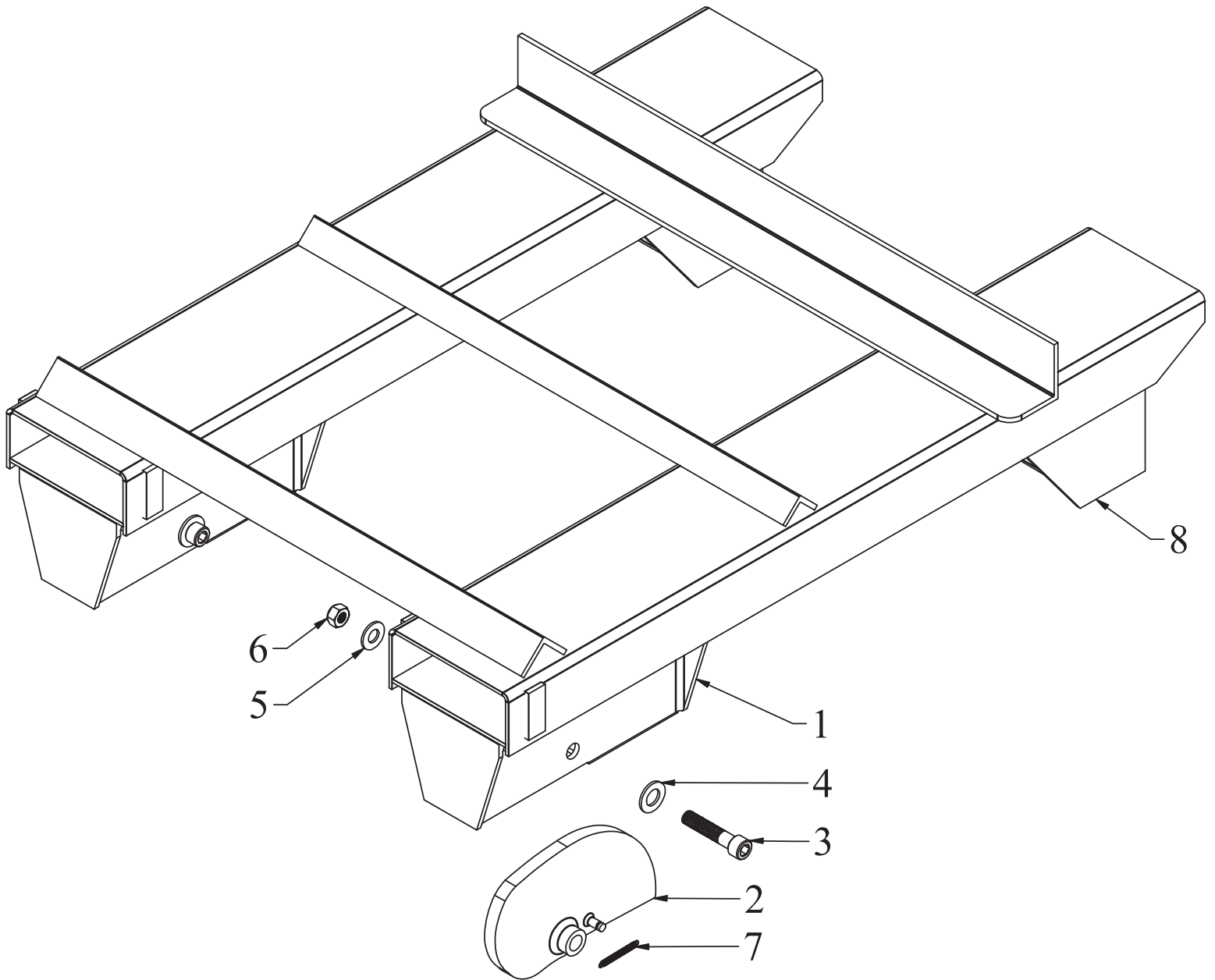
EAGLE-GRIP EG2000RCR POWERED DRUM DUMPER ATTACHMENT CONTROL BOX ASSEMBLY



**EAGLE-GRIP EG2000RCR
POWERED DRUM DUMPER ATTACHMENT CONTROL BOX
PARTS LIST**

| <u>ITEM</u> | <u>PART NO.</u> | <u>DESCRIPTION</u> | <u>QTY</u> |
|-------------|-----------------|---------------------------|------------|
| 1 | F51476 | ENC-BOX PLST BLK DRLD | 1 |
| 2 | Z41281A8 | DECAL-PENDANT FORK ATTACH | 1 |
| 3 | Z00555A5 | PB-22MM MOM BLK | 4 |
| - | Z00524A6 | CONTACT BLOCK N/O | 10 |
| 5 | Z00522A8 | PB-22MM MOM RED | 1 |
| 6 | Z00557A3 | ENC-BOOT RUBBER BLK | 1 |
| 7 | Z00557A3 | ENC-BOOT RUBBER BLK | 1 |
| - | Z00462A0 | NUT-LOCK ELEC 1/2-14 | 1 |
| - | F61971A2 | MAGNETIC PLT ASSY | 1 |
| - | Z11668A3 | MAGNET-RND PENDANT | 1 |
| - | Z10382A6 | NUT-HEX KEPS #8-32 ZP | 1 |
| 12 | Z20894A9 | CORD-PENDANT | 1 |

QUICK-CLAW SAFETY RESTRAINT SYSTEM ASSEMBLY



QUICK-CLAW SAFETY RESTRAINT SYSTEM PARTS LIST

| <u>ITEM</u> | <u>PART NO.</u> | <u>DESCRIPTION</u> | <u>QTY</u> |
|-------------|-----------------|---|------------|
| 1 | QCH2.5 | Cam Housing | 2 |
| 2 | QCC2.5 | Single Cams | 2 |
| 3 | 3/4 x 3 SSS | 3/4 x 3 Socket Shoulder Screw 5/8-11 Thread (alloy) | 2 |
| 4 | 3/4 FW SAE | 3/4 Flat Washer SAE (zinc) | 2 |
| 5 | 5/8 FW SAE | 5/8 Flat Washer SAE (zinc) | 2 |
| 6 | 5/8-11 SLN | 5/8-11 Stover Lock Nut (zinc) | 2 |
| 7 | KH100799 | Spring (zinc) | 4 |
| 8 | QCFPS | Front Fork Pocket Support | 2 |

ASSEMBLY

QCKIT-EG3/4 All parts required for customer installed QUICK-CLAW option for EG3 & EG4 models

NOTE: Installation of these parts require 43" fork pocket length along with welding of front fork pocket supports and cam housings.