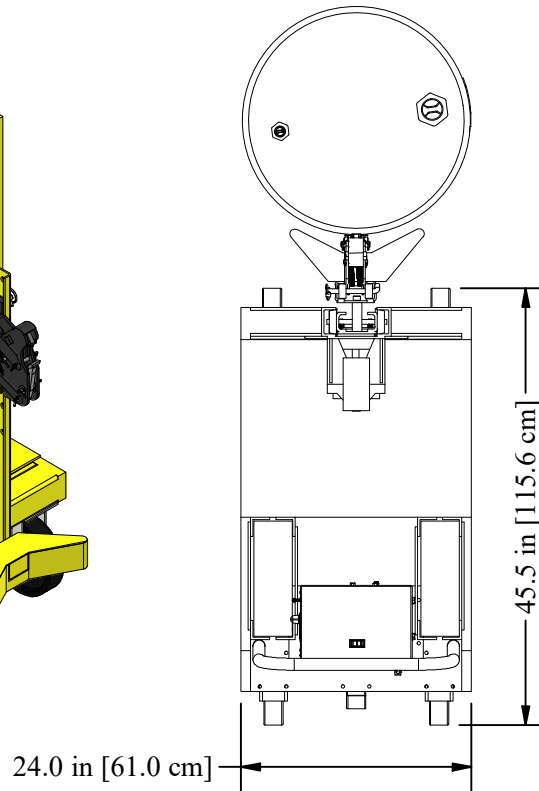
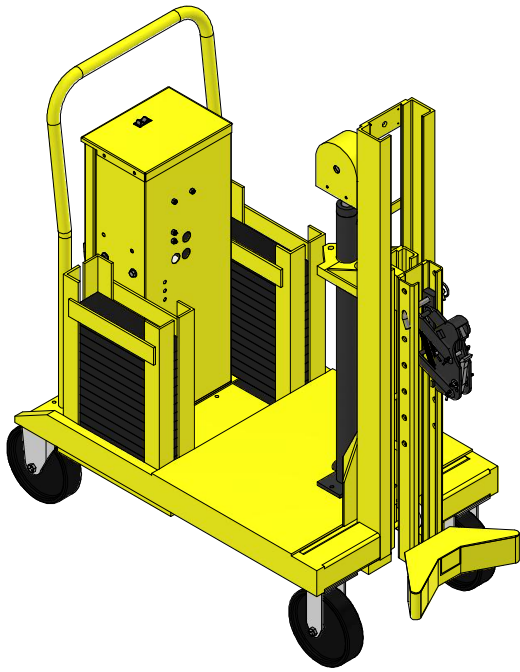
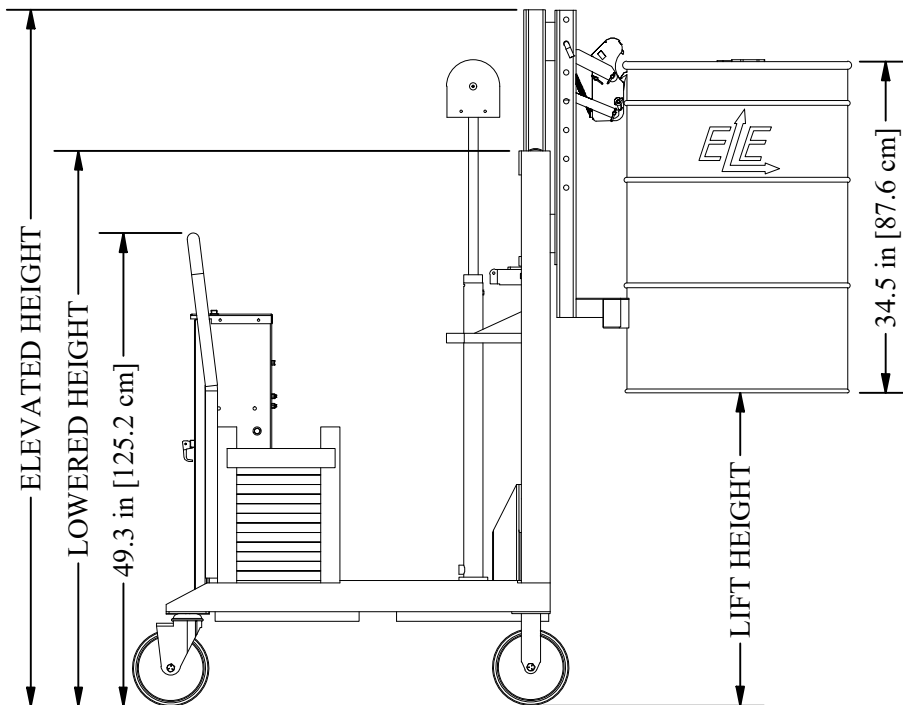


EASY LIFT DC POWERED COUNTERBALANCED DRUM TRANSPORTER



CAPACITY	COUNTERWEIGHT PER SIDE
400 lb [181 kg]	8
500 lb [227 kg]	10
600 lb [272 kg]	12
700 lb [318 kg]	14
800 lb [363 kg]	16

* Counterweight per side may vary based on equipment configuration



LIFT HEIGHT	LOWERED HEIGHT	ELEVATED HEIGHT
20 in [50.8 cm]	57.8 in [146.8 cm]	72.5 in [184.2 cm]
40 in [101.6 cm]	74.8 in [190.0 cm]	89.5 in [227.3 cm]
48 in [121.9 cm]	81.8 in [207.8 cm]	96.5 in [245.1 cm]
60 in [152.4 cm]	92.8 in [235.7 cm]	107.5 in [273.1 cm]
72 in [182.9 cm]	98.8 in [251.0 cm]	113.5 in [288.3 cm]
74 in [188.0 cm]	107.8 in [273.8 cm]	122.5 in [311.2 cm]